

WaterChef®

SMART WATER FILTRATION

INSTALLATION, USE & CARE GUIDE

UNDER-SINK Filtration System

U9000

▲ IMPORTANT

Read & Save These Instructions.

This System does not require the services of a plumber.

QUESTIONS?

1.800.879.8909

(int'l +1.775.359.9500)

MON - FRI 8 AM - 5 PM PST



System Serial #:

Serial Number is located on filter housing base.



System Certified by IAPMO R&T against NSF/ANSI Standard 42 for the reduction of Chloramine, Chlorine Taste and Odor, and Particulate Class I; NSF/ANSI Standard 53 for the reduction of Lead, Mercury, Cysts, VOCs, MTBE and Turbidity; NSF/ANSI Standard 401 for the reduction of the claims specified on the Performance Data Sheet; NSF/ANSI Standard 372 for Lead-Free Compliance under the US SDWA.

bpa**free**

eco**smart**



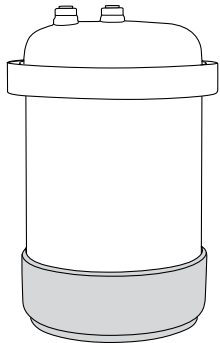
18/8
STAINLESS

MADE IN THE
USA
OF FOREIGN & DOMESTIC PARTS

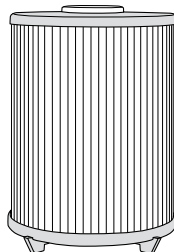
TABLE OF CONTENTS

Introduction	1
Important Use Guidelines	1
Product Specifications	2
Replacement Parts Directory	2
Setup and Installation	3
Replacing the Filter Cartridge	9
Troubleshooting	11
Warranty	12
Product Registration	13
Notes	13

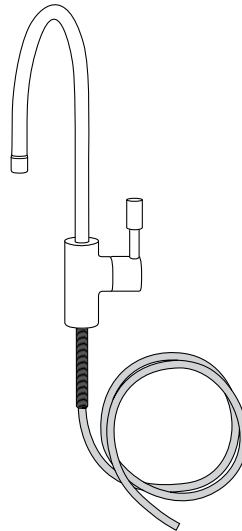
WHAT'S IN THE BOX [MODEL: U9000]



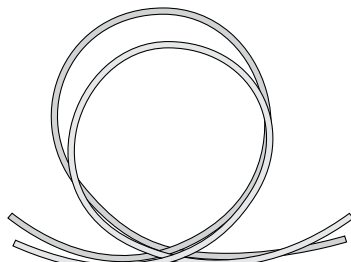
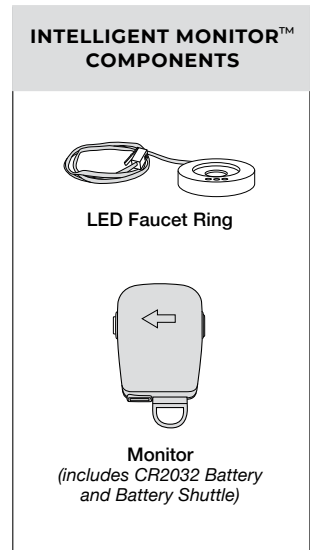
Lid and Housing Assembly
(includes Clamp and Base)



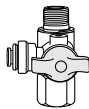
**WaterChef® UR90
Filter Cartridge**
(ships pre-installed
in housing assembly)



Designer Faucet



Red and Blue Tubing



3/8" T-Valve



Spacer



Wing Nut

- Included Literature:**
- Installation, Use & Care Guide
 - Performance Data Sheet
 - Product Registration Card

HAVE QUESTIONS OR NEED ASSISTANCE?

Customer Care (U.S. & Canada): 1.800.879.8909 (toll-free)
International Customer Care: +1.775.359.9500
 Hours of Operation: Mon. - Fri. 8 AM - 5 PM Pacific Time

Email: customercare@waterchef.com
Website: waterchef.com

INTRODUCTION

Congratulations on the purchase of your new WaterChef® Premium Filtration System!

You have taken an important step toward improving the quality of your drinking and cooking water.

WaterChef Premium Filtration Systems are crafted using only the finest materials and workmanship, and will serve you reliably for many years to come when operated and maintained according to the directions contained in this guide.

You have made a wise investment in providing quality water for you and your loved ones. Now please take a few minutes to learn about all the features and benefits your new System has to offer!

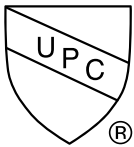
IMPORTANT USE GUIDELINES

1. Read this manual completely before attempting to install or use this product.
2. For residential use only.
3. The actual capacity of your Filter Cartridge may vary from the rated capacity. This may be due to the volume of contaminants or sediment actually present in your water supply.
For optimal performance, replace your Filter Cartridge upon the first occurrence of the following:
 - Annually
 - The flow rate diminishes
 - You notice a taste or odor recurrence
 - The 1,000 gallon rated capacity of the Filter Cartridge has been reached
 - The **RED** LED Indicator on the System Faucet begins flashing
4. Do not use water that is microbiologically unsafe or of unknown quality without adequate disinfection before or after the System. Systems certified for cyst reduction may be used on disinfected waters that may contain filterable cysts.
5. Individuals requiring specific microbiological purity should consult their physician.
6. For use on cold potable water supplies only.
7. For this System to continue to perform as tested and represented, be sure to use only genuine WaterChef® UR90 Filter Cartridges.
8. Do not allow System to sit for extended lengths of time without being used (*10 days or more*). If System must be left unused for more than 10 days, drain all water from the System, remove the Filter Cartridge and turn the T-Valve OFF. Once you return, re-install Cartridge, turn T-Valve ON and flush System for 15 min. prior to use. (*Flushed water can be used to water plants.*)
9. Installation of this product must comply with all state and local laws and regulations. Refer to your local agencies for details.
10. The contaminants or other substances removed or reduced by this System may not be in all users' water.
11. Replacement Filter Cartridges may be purchased from a WaterChef reseller or online from waterchef.com. To order by phone, contact WaterChef Customer Care at **1.800.879.8909** (int'l +1.775.359.9500).

PRODUCT SPECIFICATIONS

WATERCHEF UNDER-SINK FILTRATION SYSTEM (Model: U9000)

Installation	Under-Sink	Minimum Working Pressure	30 psig (206.8 kPa)
Particle Retention Size	Sub-Micron	Maximum Operating Temperature	100° F / 38° C
Intelligent Monitor.	LED	Minimum Operating Temperature.	34° F / 1° C
Rated Capacity	1,000 gallons (3,785 L)	Filter Cartridge <i>(includes Battery and Shuttle)</i>	UR90
Rated Service Flow	0.75 gal/min @ 60 psi	EPA Establishment Number	63018-NV-001
Maximum Working Pressure	125 psig (861.8 kPa)		

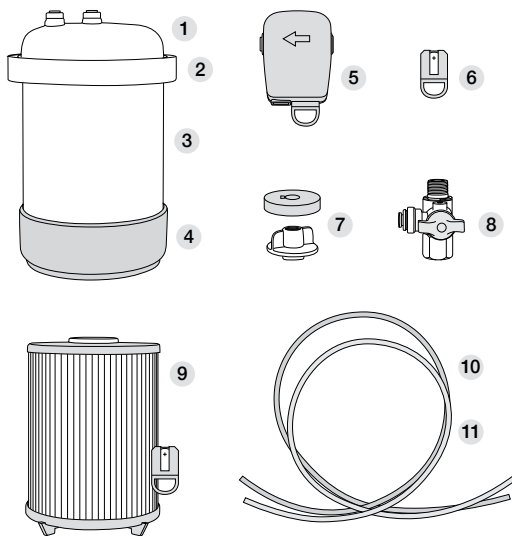


System Certified by IAPMO R&T against NSF/ANSI Standard 42 for the reduction of Chloramine, Chlorine Taste and Odor, and Particulate Class I; NSF/ANSI Standard 53 for the reduction of Lead, Mercury, Cysts, VOCs, MTBE and Turbidity; NSF/ANSI Standard 401 for the reduction of the claims specified on the Performance Data Sheet; NSF/ANSI Standard 372 for Lead-Free Compliance under the US SDWA.

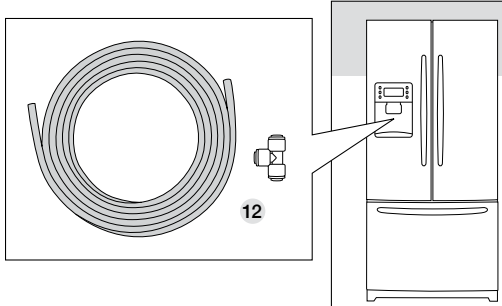


Refer to Performance Data Sheet for complete list of contaminant and substance reduction capabilities.

REPLACEMENT PARTS DIRECTORY



ITEM	PART #	DESCRIPTION
1	0581-17-16	Lid Assembly
2	9-902-0016	Clamp Assembly
3	5-112-0009	Filter Housing
4	4-105-0012-01	Base
5	9-903-0035	Intelligent Monitor™ <i>(includes Battery and Shuttle)</i>
6	0581-15-05	Battery Shuttle <i>(includes Battery)</i>
7	9-904-0114	Spacer & Wing Nut
8	3-212-0015	3/8" T-Valve
9	UR90	Filter Cartridge <i>(includes Battery and Shuttle)</i>
10	4-600-0017	Blue Tubing (5 ft.)
11	4-600-0015	Red Tubing (5 ft.)
12	0071	Refrigerator Kit (25 ft. Tubing & T-Fitting) <i>(Optional)</i>



Enjoy WaterChef® premium filtration from your refrigerator too!

Does your refrigerator have a water dispenser or ice maker?
 Enjoy better water, greater savings and convenience, and less waste by adding a **WaterChef Refrigerator Kit** to your existing U9000 System. Stop replacing additional small, costly and less effective refrigerator filters. One WaterChef UR90 Cartridge provides an abundant source of premium quality water to your entire kitchen for up to 12 months!

SETUP & INSTALLATION

1. Open the shipping carton, remove all System parts and place them on your kitchen counter.
2. Compare them with the parts shown in this guide to be certain all items were included (*see inside front cover*).
3. The type of plumbing that you have in your home will determine the method of installation and type of hardware that will be used.

INSTALLATION QUESTIONS?

Call WaterChef Customer Care: **1.800.879.8909** (int'l +1.775.359.9500) (MON - FRI, 8 AM - 5 PM PST)

4. Following is a list of common tools required for most under-counter installations:

Drilling a Hole in a PORCELAIN/CERAMIC Sink (fig. A):

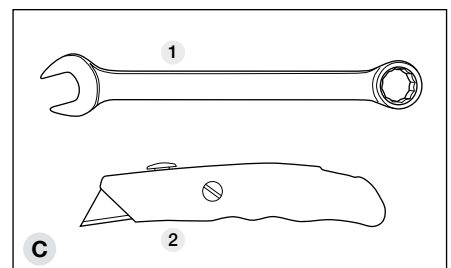
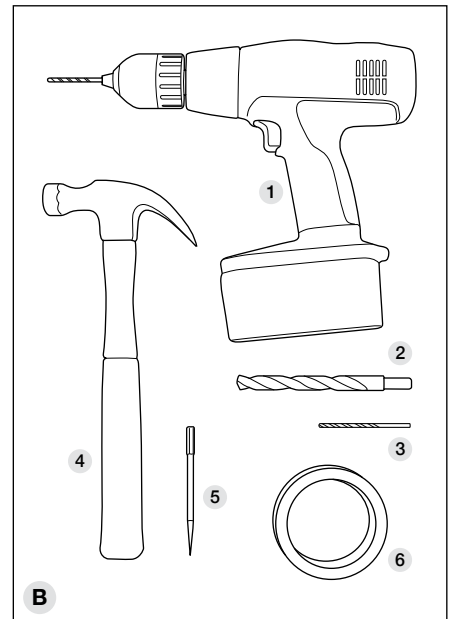
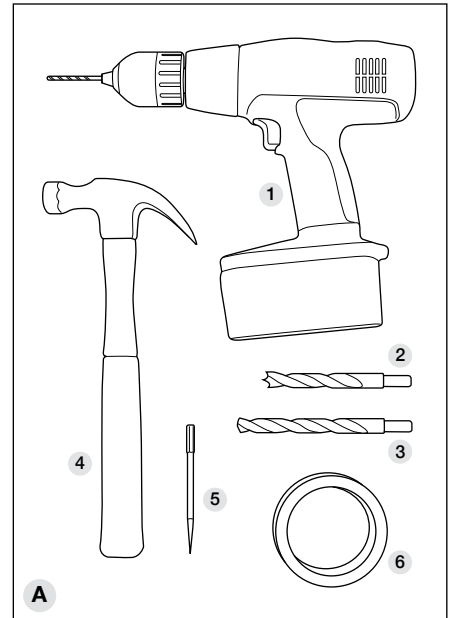
- 1 3/8" Electric Drill
- 2 5/8" Carbide Masonry Drill Bit
- 3 5/8" High Speed Drill Bit
- 4 Hammer
- 5 Punch
- 6 Masking Tape

Drilling a Hole in a STAINLESS STEEL Sink (fig. B):

- 1 3/8" Electric Drill
- 2 5/8" High Speed Drill Bit
- 3 1/8" High Speed Drill Bit
- 4 Hammer
- 5 Punch
- 6 Masking Tape

Installing the 3/8" T-Valve and Faucet (fig. C):

- 1 5/8" or 1/4" Open Ended Wrench (*varies by model*)
- 2 Knife



SETUP & INSTALLATION

Drilling a Hole in a PORCELAIN/CERAMIC Sink:

NOTE

If your sink has another hole that currently has a spray attachment, you may decide to remove the spray attachment and use the existing hole to continue your installation (skip the next section and go to "Faucet Installation" on page 6).

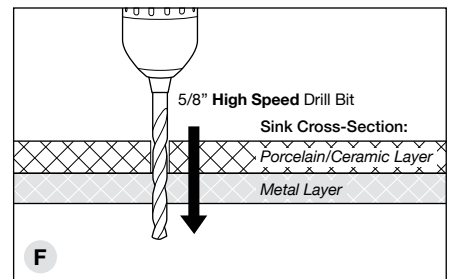
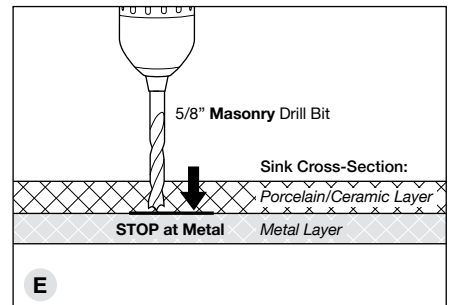
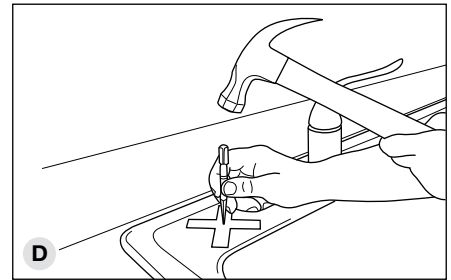
CAUTION

This type of sink can chip easily. Use extreme care. If you have any doubts about doing this yourself, consult a licensed plumber.

1. Locate an area on your sink to install the System Water Faucet (make certain that there are no support ribs under the sink in that location). Cover the designated location for the Faucet installation on sink with masking tape. Use the punch and hammer to lightly score the porcelain at the designated location for the faucet installation. (fig. D)
2. Use the 5/8" masonry drill bit to remove the porcelain down to the metal. **Drill slowly or at half speed.** (fig. E)
3. Use the 5/8" high speed drill bit to drill through the exposed surface of the metal. Hold the drill in the upright position to avoid catching the edge of the porcelain with drill bit. (fig. F)

⚠ WARNING

Use **EXTREME CAUTION** with electric power tools near water. Ensure that there is no standing water in the sink and that the area is dry. Failure to follow this warning could result in serious injury or death.



Proceed to "Faucet Installation" instructions on page 6.

SETUP & INSTALLATION

Drilling a Hole in a STAINLESS STEEL Sink:

NOTE

If your sink has another hole that currently has a spray attachment, you may decide to remove the spray attachment and use the existing hole to continue your installation (skip the next section and go to "Faucet Installation" on page 6).

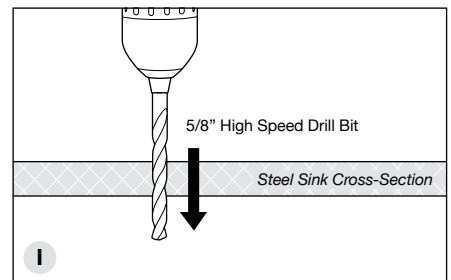
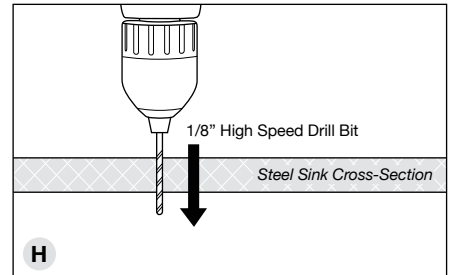
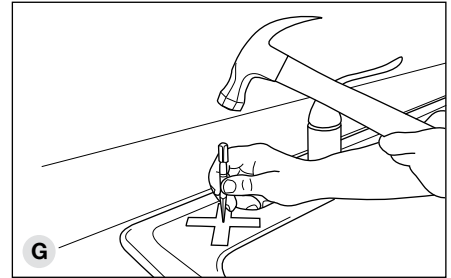
CAUTION

This type of sink can be scratched easily. Use extreme care. If you have any doubts about doing this yourself, consult a licensed plumber.

1. Locate an area on your sink to install the System Water Faucet (make certain that there are no support ribs under the sink in that location). Cover the designated location for the Faucet installation on sink with masking tape. Use the punch and hammer to make a light indentation at the designated location for the Faucet installation. (fig. G)
2. Using a 1/8" high speed drill bit, drill a pilot hole. (fig. H)
3. Use a 5/8" high speed drill bit to enlarge the pilot hole. (fig. I)

⚠ WARNING

Use EXTREME CAUTION with electric power tools near water. Ensure that there is no standing water in the sink and that the area is dry. Failure to follow this warning could result in serious injury or death.



Proceed to "Faucet Installation" instructions on page 6.

SETUP & INSTALLATION

Faucet Installation:

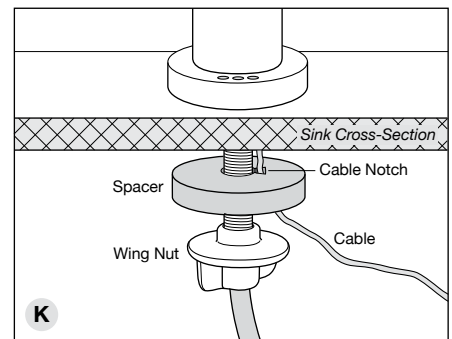
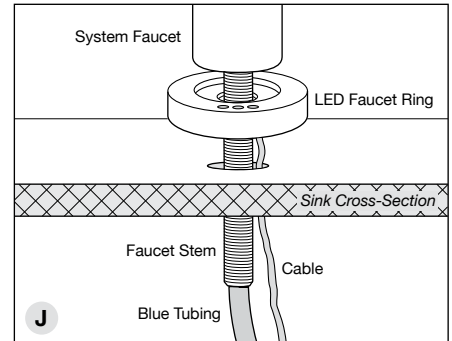
1. Slide the LED Faucet Ring up Faucet Tubing and onto Faucet Stem. Next, insert Cable through hole in sink, followed by Faucet Tubing and Faucet Stem (*be careful not to crimp the Cable*). (fig. J)
2. From under the sink, guide Cable through the hole in the Spacer (*small side up*). Next, slide Cable into the small notched area of the Spacer hole. Insert the Faucet Tubing through the main area of the Spacer hole and guide Spacer onto Faucet Stem. Thread Wing Nut onto Faucet Stem and hand tighten. (fig. K)

⚠ IMPORTANT

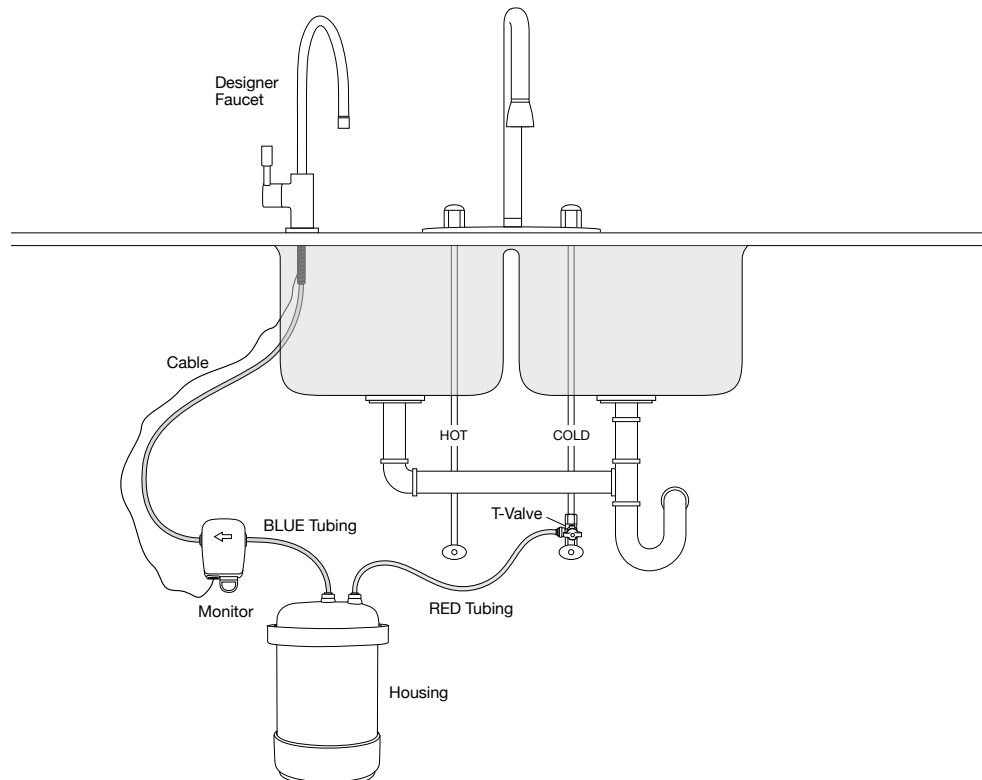
Be sure Cable remains in the notched area of Spacer hole as you slide the Faucet Tubing and Stem through the Spacer to avoid damaging the Cable.

NOTE

Final Faucet positioning may require two people when tightening the Wing Nut.



TYPICAL UNDER-SINK INSTALLATION



SETUP & INSTALLATION

System Installation:

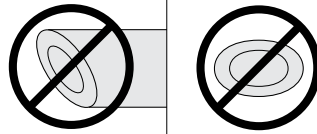
▲ IMPORTANT

Before attempting this installation, be certain to turn "OFF" the cold water supply located under your sink. If a shut-off valve is not located on the cold water line directly under your kitchen sink, shut off the main water supply to your home.

1. Locate an area under the kitchen sink to place the Base. Base should be located directly under area where the Faucet will be installed.
2. Using the open ended wrench, unthread the compression nut located on top of the shut-off valve located on existing cold water supply line. (fig. L)

CAUTION

Cutting the Tubing is NOT RECOMMENDED. If a cut is made with a dull knife, or if Tubing is cut at an angle or distorted as a result of cutting, this may result in leaking.

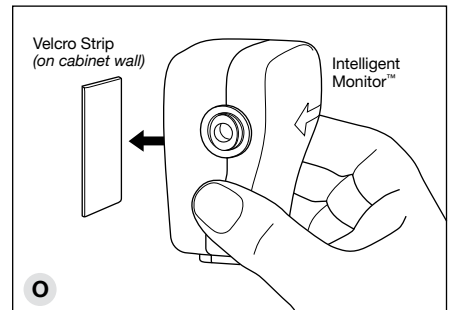
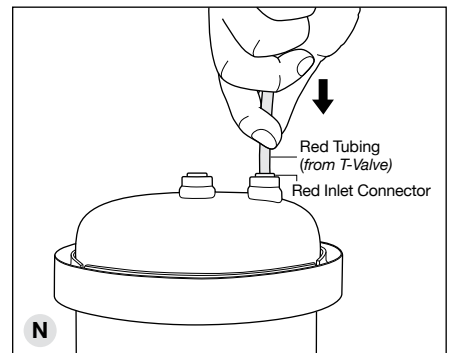
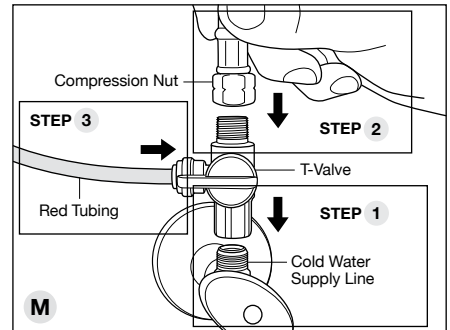
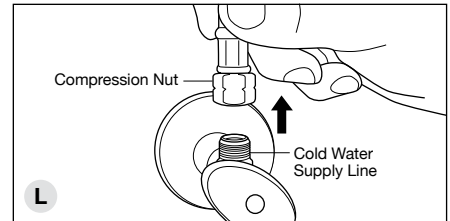


3. Thread the 3/8" T-Valve onto cold water supply line and tighten with the open ended wrench. (fig. M, Step 1) Next, thread the compression nut onto the top of T-Valve and tighten. (fig. M, Step 2) Lastly, press the Red Tubing into the Outlet Connector located on the T-Valve. (fig. M, Step 3)
4. Press opposite end of Red Tubing into Red Inlet Connector located on top of Lid Assembly. (fig. N)

▲ IMPORTANT

Once inserted completely, give Tubing a gentle tug to make sure it has been properly seated in the fitting to create a permanent seal. If you find that it is necessary to remove the Tubing from Inlet or Outlet Connectors, depress the small Collar located on the Inlet and Outlet Connectors and pull Tubing upward at same time.

5. Locate an area on cabinet wall to mount the Intelligent Monitor™. Secure Intelligent Monitor™ to the wall using the Velcro Adhesive Strips provided. (fig. O)



(continued on following page)

SETUP & INSTALLATION

6. Push the Blue Tubing from the System Faucet into the Outlet Connector located on Intelligent Monitor™. (fig. P)
7. Using the other piece of Blue Tubing provided, push one end of the Tubing firmly into Outlet Connector located on Lid Assembly, and remaining end of Tubing firmly into the Inlet Connector located on Intelligent Monitor™. (fig. Q)

CAUTION

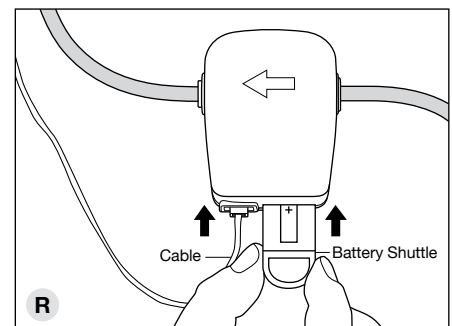
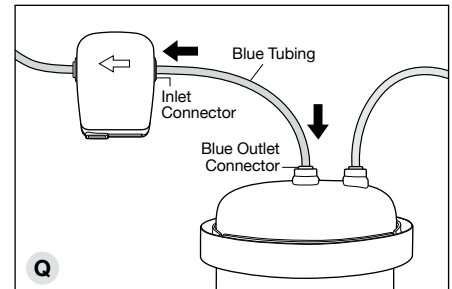
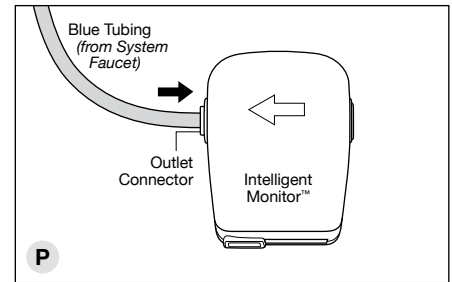
Be sure to leave enough Tubing length so that it does not kink or bend sharply.

8. Insert Cable Connector into Cable Port located on Intelligent Monitor™, then insert Battery Shuttle into Battery Port located on Intelligent Monitor™. (fig. R) The LED Indicators located on the System Faucet will flash **GREEN, YELLOW** and **RED** five times. This resets the rated capacity counter to zero gallons. **Do NOT remove Battery Shuttle until it is time to replace the Filter Cartridge. Removing Battery Shuttle prematurely may result in a loss of data.**
9. Slowly turn your cold water supply “ON” and check for leaks.
10. Turn System Faucet “ON”. Water will begin to fill the Filter Housing. Once water begins to flow from the System Faucet, the **GREEN** LED Indicator will begin flashing to indicate peak operational performance.
11. **Check to see that all hose, clamp and housing connections are tight and do not leak.**
12. **Allow System to flush into sink for 15 minutes.** This removes any fine, black carbon particles left over from the manufacturing process, expels trapped air, and conditions the Filter Cartridge for normal use. *(This water may be used to water plants.)*

▲ IMPORTANT

Repeat flushing procedure each time a new Filter Cartridge is installed.

Congratulations! Your new WaterChef® Filtration System is ready to enjoy!



REPLACING THE FILTER CARTRIDGE

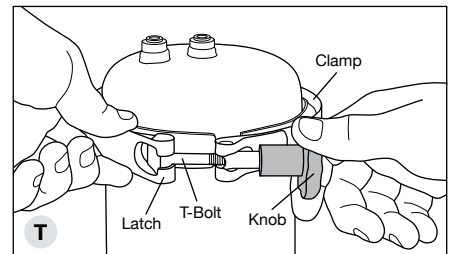
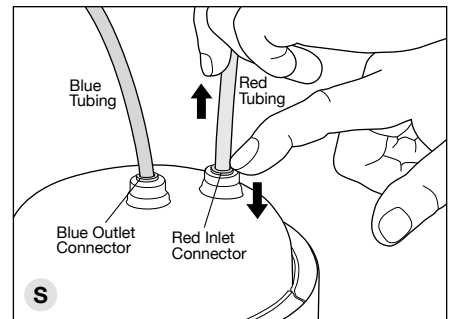
The most important part of maintaining your WaterChef Filtration System is replacing the Filter Cartridge (and Battery) on a regular service interval. To ensure that your System continues to perform as stated in the Performance Data Sheet, your Filter Cartridge should be replaced upon the first occurrence of the following:

- Annually
- The flow rate diminishes
- You notice a taste or odor recurrence
- The 1,000 gallon rated capacity has been reached
- The **RED** LED Indicator on the System Faucet begins flashing

▲ IMPORTANT

Be sure to use only genuine WaterChef® UR90 Filter Cartridges with this System. Only WaterChef Filter Cartridges have been certified by IAPMO R&T to ensure the performance represented in the Performance Data Sheet.

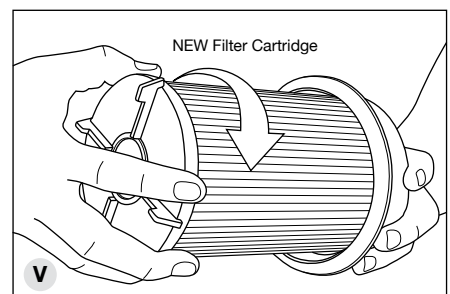
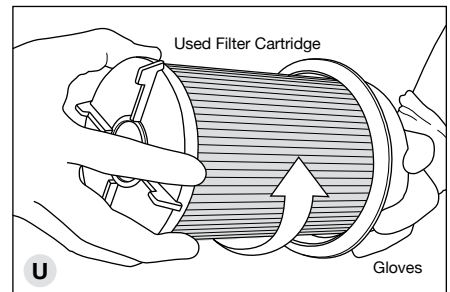
1. Turn the System T-Valve to the “OFF” position then turn the System Faucet “ON” to release System pressure. Turn the System Faucet “OFF” once water has stopped draining.
2. Remove System from under your sink if Tubing length permits. If it does not, remove Tubing from Lid by pressing firmly downward on Red Inlet Connector on the Lid Assembly while pulling Red Tubing upward to remove. Repeat procedure to remove Blue Tubing from the Blue Outlet Connector. (fig. S)
3. Place a towel in your sink or a bucket to prevent damage to the System then place System onto the towel. Turn Knob located on Clamp counterclockwise to loosen. Once loosened, hold Latch with one hand while pressing Knob towards Latch with other hand to remove T-Bolt from Latch. Once T-Bolt is unlatched, remove Clamp from Lid Assembly and Filter Housing. (fig. T)



RECOMMENDATION

Rubber gloves should be worn to avoid direct contact with filtered contaminants.

4. Lift Lid Assembly from Filter Housing. While holding Lid Assembly, turn Filter Cartridge counterclockwise to remove. Discard with regular refuse. (fig. U)
5. Wash inside of Lid Assembly and Filter Housing with warm water, mild dishwashing detergent and a clean cloth. **Do NOT use abrasive pads or other abrasive materials to clean System.**
6. Remove the plastic wrap from your new Filter Cartridge. Thread the new Cartridge clockwise onto the Threaded Post inside Lid Assembly until you feel resistance. Make an additional quarter turn. (fig. V)



(continued on following page)

REPLACING THE FILTER CARTRIDGE

7. Make certain the O-Ring is still seated on Lid Assembly, then insert Filter Cartridge into Filter Housing until O-Ring and Lid Assembly are seated onto Filter Housing. (fig. W)
8. Place Clamp around Lid Assembly and Filter Housing, making sure it is aligned all the way around the Lid and Housing. Once Clamp is fully aligned, re-latch T-Bolt then **tighten Knob on Clamp FIRMLY.** (fig. X)
9. If Tubing was removed from Lid Assembly, re-insert Blue Tubing end firmly into the Blue Outlet Connector and Red Tubing end firmly into the Red Inlet Connector on Lid. Re-position System under your sink. (fig. Y)
10. Remove Battery Shuttle from Intelligent Monitor™ and discard.
11. Allow 10 seconds before inserting new Battery Shuttle (included with Filter Cartridge) into Intelligent Monitor™. This resets the rated capacity counter to zero gallons. (fig. Z) The LED Indicators located on the System Faucet will flash **GREEN, YELLOW and RED** five times. **Do NOT remove Battery Shuttle until it is time to replace the Filter Cartridge.** Removing Battery Shuttle prematurely may result in a loss of data.
12. Slowly turn T-Valve “ON” and **check for leaks.**
13. Turn System Faucet “ON”. Water will begin to fill the Filter Housing. Once water begins to flow from the System Faucet, the **GREEN LED Indicator** will begin flashing. **Check to see that all hose, clamp and housing connections are tight and do not leak.**

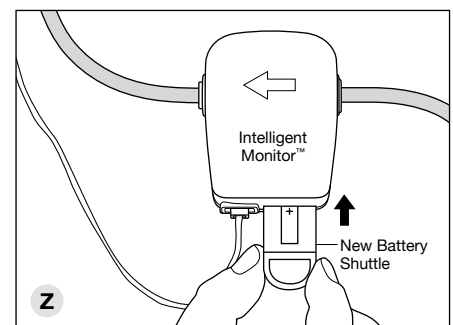
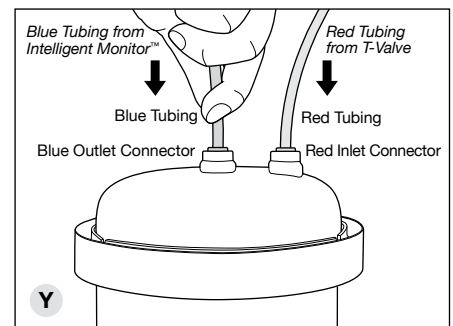
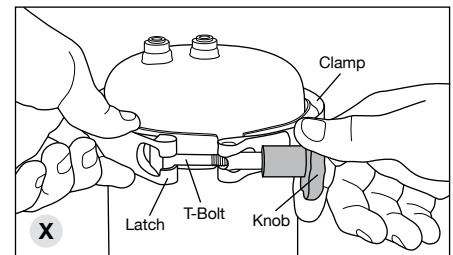
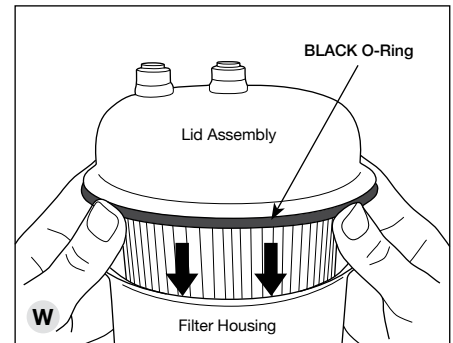
▲ IMPORTANT

Check that all hose, clamp and housing connections are tight and do not leak every time a Filter Cartridge is installed or System is serviced in any way.

14. **Allow System to flush into sink for 15 minutes.** This removes any fine, black carbon particles left over from the manufacturing process, expels trapped air, and conditions the Filter Cartridge for normal use. (This water may be used to water plants.)

▲ IMPORTANT

Repeat flushing procedure each time a new Filter Cartridge is installed.



TROUBLESHOOTING

CONDITION:

White sediment is in my filtered water.

REASON:

There is a presence of calcium carbonate in your main water supply. This condition will occur any time the filtered water is boiled or frozen and then melts.

SOLUTION:

This condition is normal – no action is required. However, you may choose to strain the white sediment.

CONDITION:

Ice cubes appear cloudy in the center.

REASON:

Minerals such as calcium and magnesium that are present in your water supply and collect in the center of ice cubes when water is frozen. Your System is designed specifically to leave beneficial trace minerals in your water.

SOLUTION:

No action is required

CONDITION:

Filtered water is flowing slowly from the System.

REASON:

Excessive amounts of particles in your water supply may have caused premature plugging of the Filter Cartridge prior to the RED LED Indicator on the Faucet Ring flashing.

SOLUTION:

The Filter Cartridge must be replaced due to poor water quality conditions in your area.

NOTE: *The Battery and Battery Shuttle MUST be replaced at time of Cartridge replacement. (Included with Filter Cartridge.)*

CONDITION:

The YELLOW LED Indicator on the Faucet Ring is flashing.

REASON:

Your Filter Cartridge is reaching the end of its rated capacity and will need to be replaced soon.

SOLUTION:

Purchase a new WaterChef® UR90 Filter Cartridge. For the location of the reseller nearest you, call WaterChef Customer Care at 1.800.879.8909 (int'l +1.775.359.9500). Once the RED LED Indicator begins flashing, it is time to install a new Filter Cartridge and Battery Shuttle (included with Filter Cartridge).



UNDER-SINK WATER FILTRATION SYSTEM

LIFETIME LIMITED WARRANTY

WaterChef® warrants that for the lifetime of the original purchaser and from the date of purchase, this product will be free from defects in materials and workmanship.

WaterChef, at its option, will repair or replace this product or any component of the product found to be defective during this warranty period. Replacement will be made with a new or remanufactured product or component. If the product is no longer available, replacement may be made with a similar product of equal or greater value. This is your exclusive warranty.

This warranty is valid for the original retail purchaser from the date of original retail purchase and is not transferable. Keep the original sales receipt. Proof of purchase is required to obtain warranty service. WaterChef dealers do not have the right to alter, modify or change the terms and conditions of this warranty in any way.

This warranty does not cover normal wear of components or damage resulting from any of the following: negligent use or misuse of the product, use contrary to the Installation, Use & Care Guide, disassembly, repair or alteration by anyone other than WaterChef or a WaterChef authorized service center. Further, the warranty does not cover acts of nature, such as fire, flood, tornadoes or hurricanes.

WaterChef shall not be liable for any incidental or consequential damages caused by the breach of any express or implied warranty. Except to the extent prohibited by applicable law, any implied warranty or merchantability or fitness for a particular purpose is limited in duration to the duration of the above warranty. Some states, provinces or jurisdictions do not allow the exclusion or limitation of the incidental or consequential damages or limitations on how long an implied warranty lasts, so the above limitations or exclusion may not apply to you. This warranty gives you specific legal rights, and you may also have other rights that vary from state to state or province to province.

HOW TO OBTAIN WARRANTY SERVICE

Call **1.800.879.8909** (int'l +1.775.359.9500) or email customercare@waterchef.com. If it is determined that it is necessary to return the product, a Return Authorization Number will be issued. **Products returned without a Return Authorization Number will be refused.** Pack the product in the original carton, or equivalent, using newspaper or other packing materials to protect the product from damage in transit. Before sealing the carton, be sure to include a copy of the original sales receipt along with a note describing the nature of the defect or problem. Be certain to include your return shipping address and Return Authorization Number on the outside of the carton.

Ship the product to: **WaterChef Customer Care**
3760 Barron Way
Reno, NV 89511

Upon receiving the product, we will repair or replace the product and return it to the return address on the shipping carton, postage pre-paid. *(U.S. customers only)*



WaterChef®, Inc. | 3760 Barron Way · Reno, NV 89511 USA | **tel** 1.800.879.8909 | **int'l** +1.775.359.9500
email customercare@waterchef.com | **web** waterchef.com

Manufactured by Water Safety Corporation